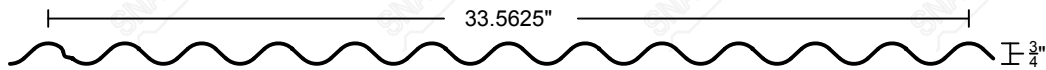


SNAKE RIVER METAL



3/4" CORRUGATED : 29G



FASTENERS: EXPOSED

COVERAGE: 33.5625"

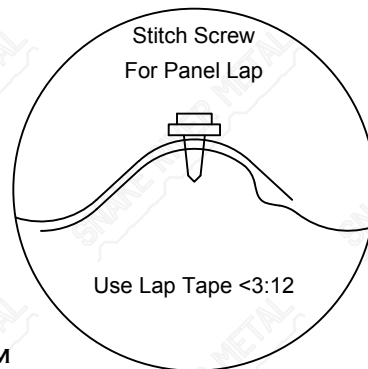
MINIMUM PITCH: 3:12

MINIMUM LENGTH: 36"

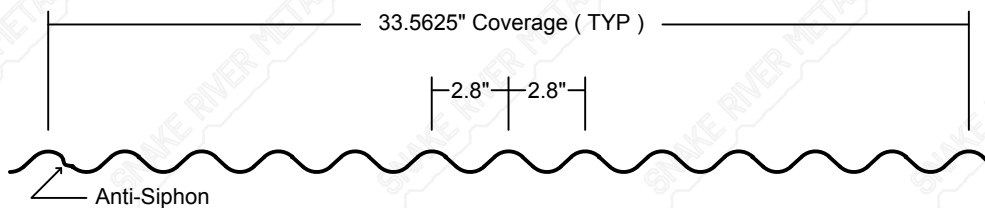
MAXIMUM LENGTH: 45'+

MATERIAL THICKNESS: 29G

FINISH: 40 YEAR SMP / GALV / GLUM



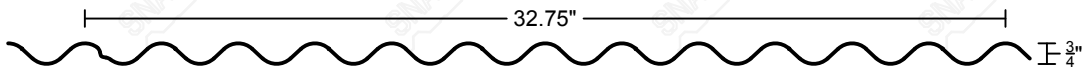
PANEL COVERAGE AND HEIGHT MAY VARY BASED ON STEEL HARDNESS



SNAKE RIVER METAL



3/4" CORRUGATED : 26G



FASTENERS: EXPOSED

COVERAGE: 32.75"

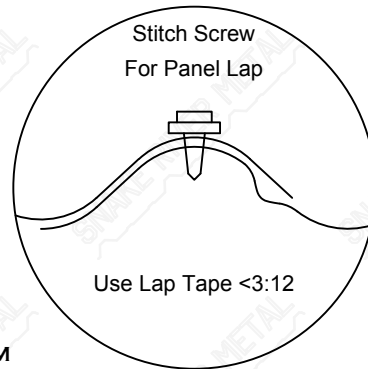
MINIMUM PITCH: 3:12

MINIMUM LENGTH: 36"

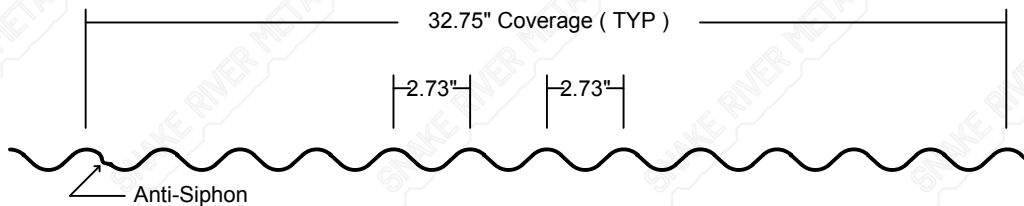
MAXIMUM LENGTH: 45'+

MATERIAL THICKNESS: 26G

FINISH: 40 YEAR SMP / GALV / GLUM



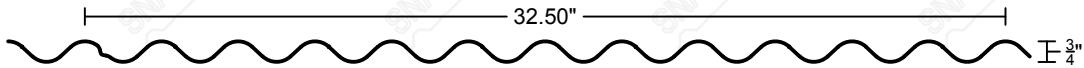
PANEL COVERAGE AND HEIGHT MAY VARY BASED ON STEEL HARDNESS



SNAKE RIVER METAL



3/4" CORRUGATED : 24G



FASTENERS: EXPOSED

COVERAGE: 32.50"

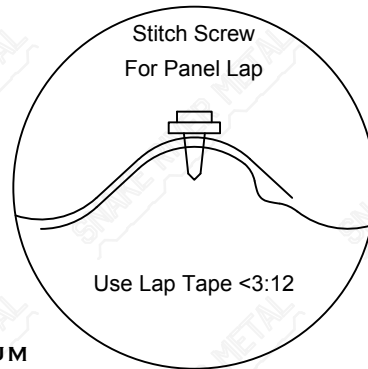
MINIMUM PITCH: 3:12

MINIMUM LENGTH: 36"

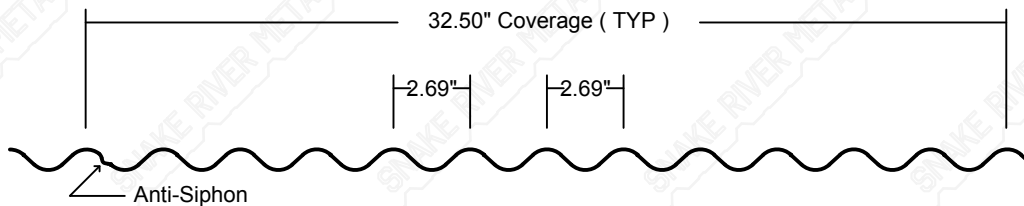
MAXIMUM LENGTH: 45'+

MATERIAL THICKNESS: 24G

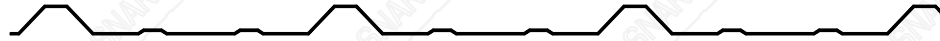
FINISH: PVDF PAINTED / GALV / GLUM



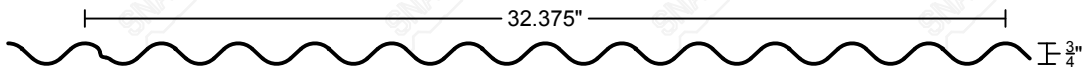
PANEL COVERAGE AND HEIGHT MAY VARY BASED ON STEEL HARDNESS



SNAKE RIVER METAL



3/4" CORRUGATED : 22G



FASTENERS: EXPOSED

COVERAGE: 32.375"

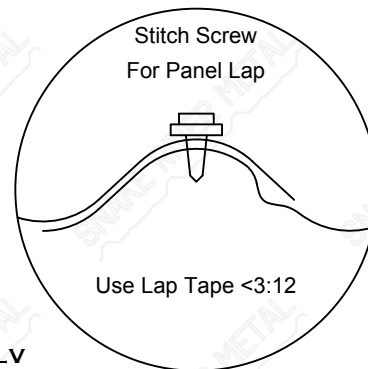
MINIMUM PITCH: 3:12

MINIMUM LENGTH: 36"

MAXIMUM LENGTH: 45'+

MATERIAL THICKNESS: 22G

FINISH: PVDF PAINTED / A606 / GALV



PANEL COVERAGE AND HEIGHT MAY VARY BASED ON STEEL HARDNESS

